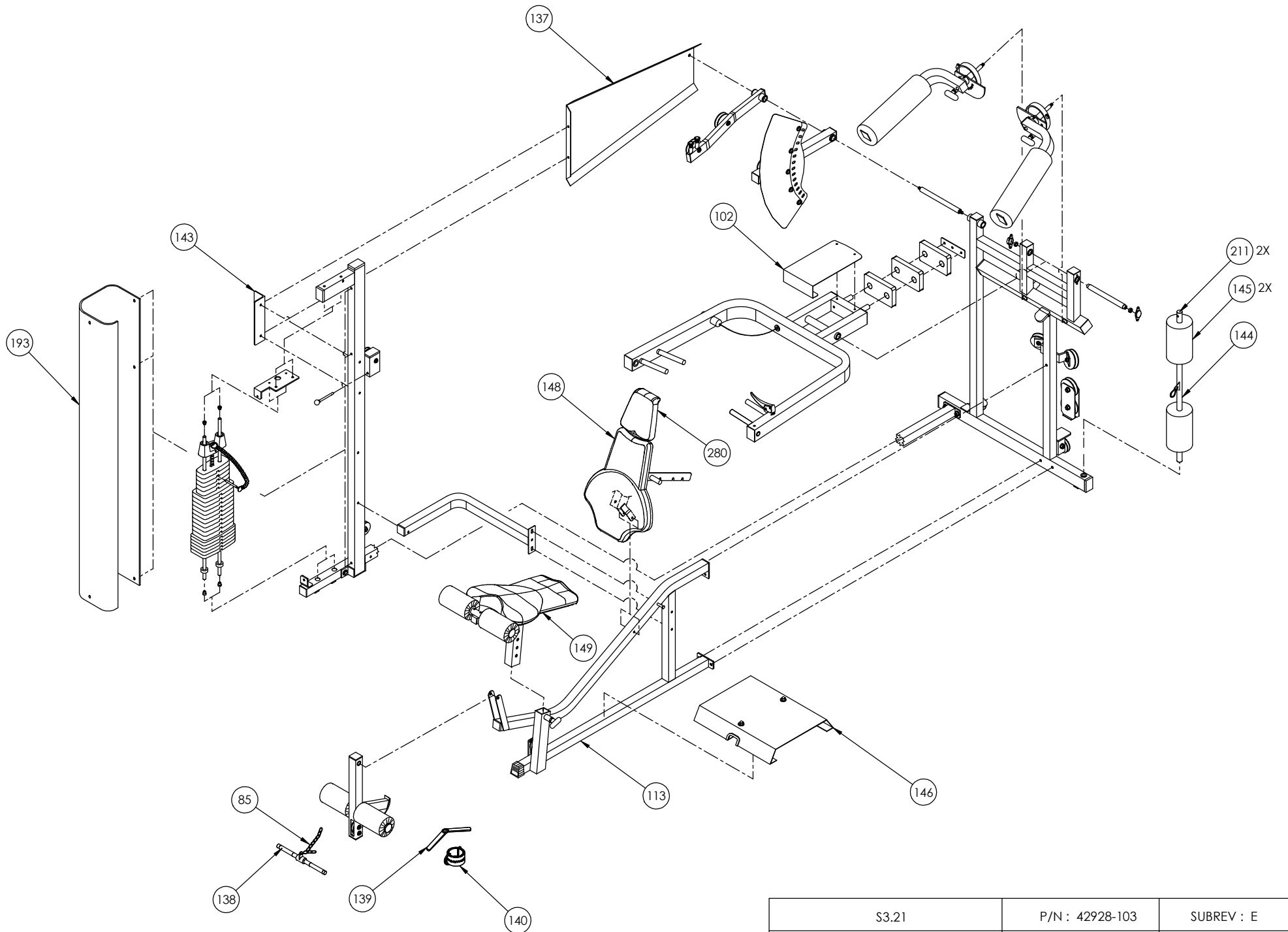
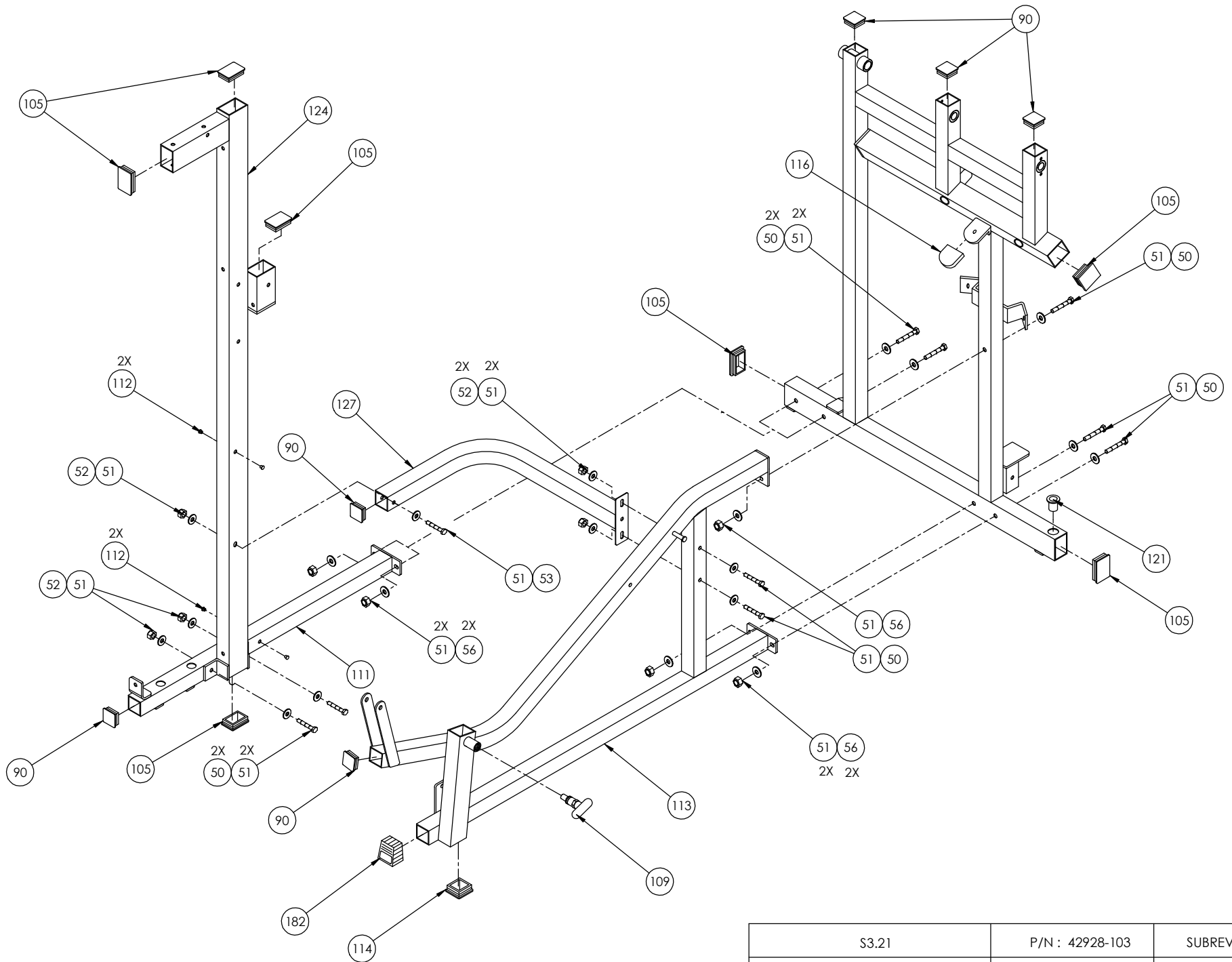


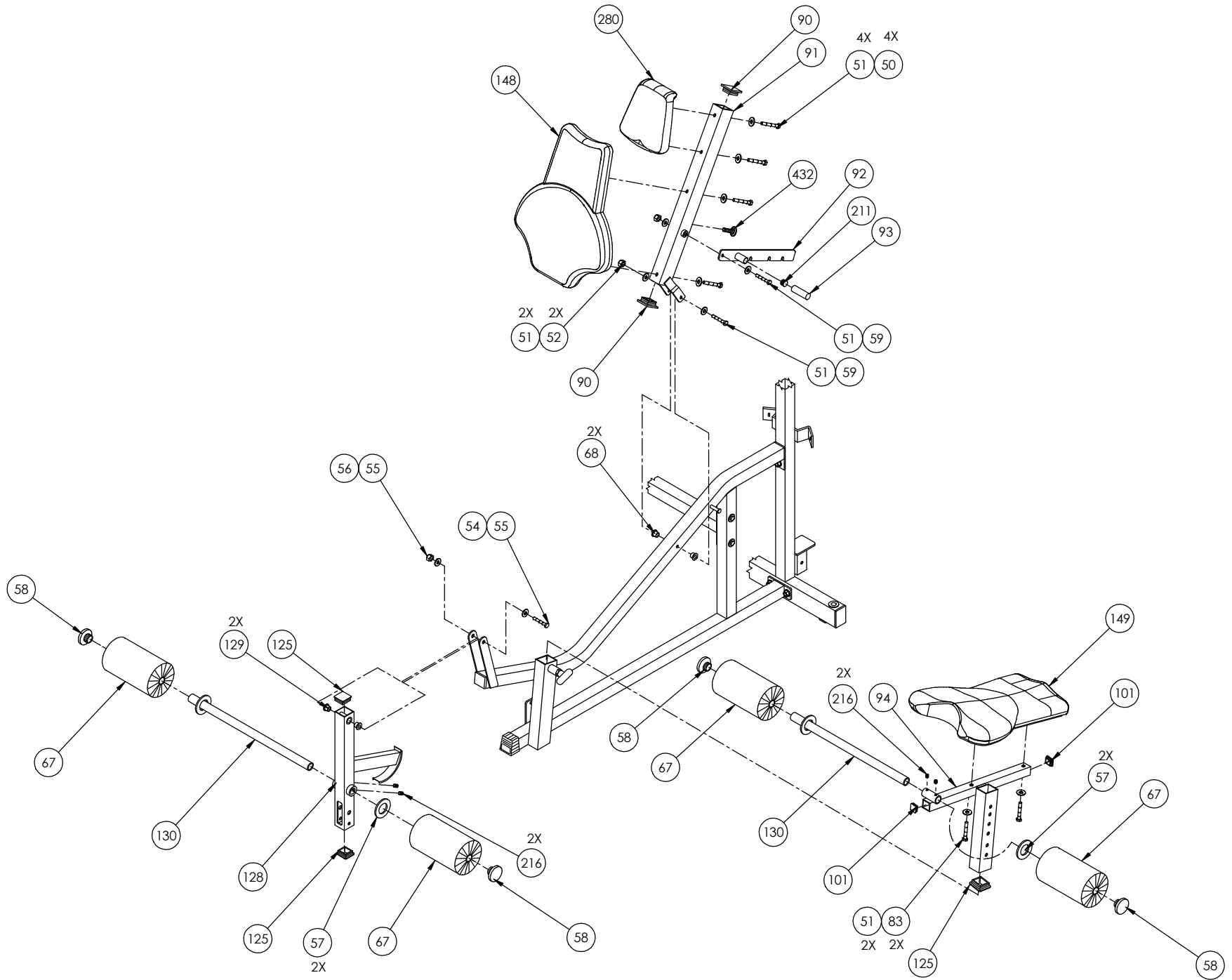
S3.21	P/N : 42928-103	SUBREV : E
DRAWN BY : KAW	DATE : 9.11.12	SHEET 1 OF 14



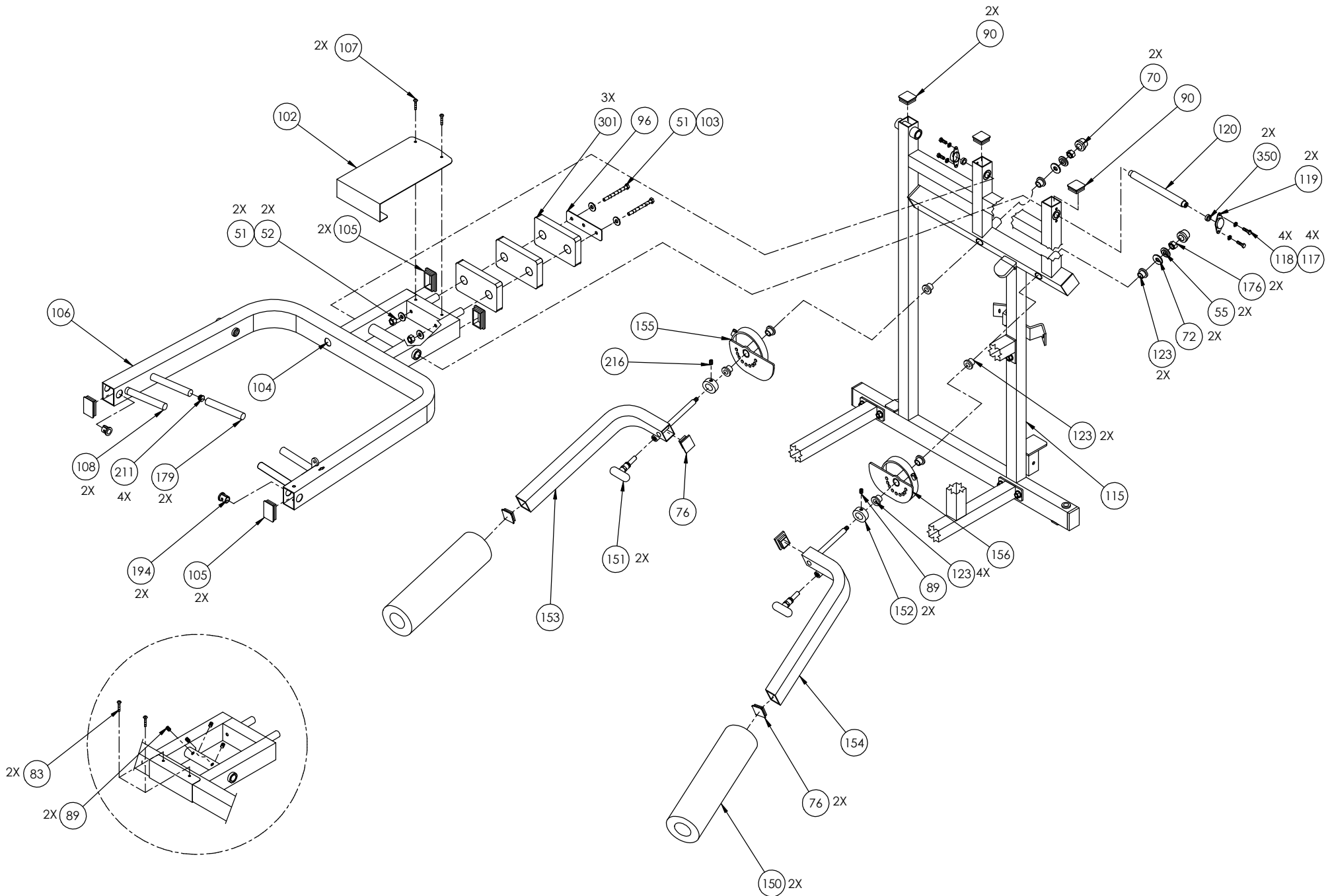
S3.21	P/N : 42928-103	SUBREV : E
DRAWN BY : KAW	DATE : 9.11.12	SHEET 2 OF 14



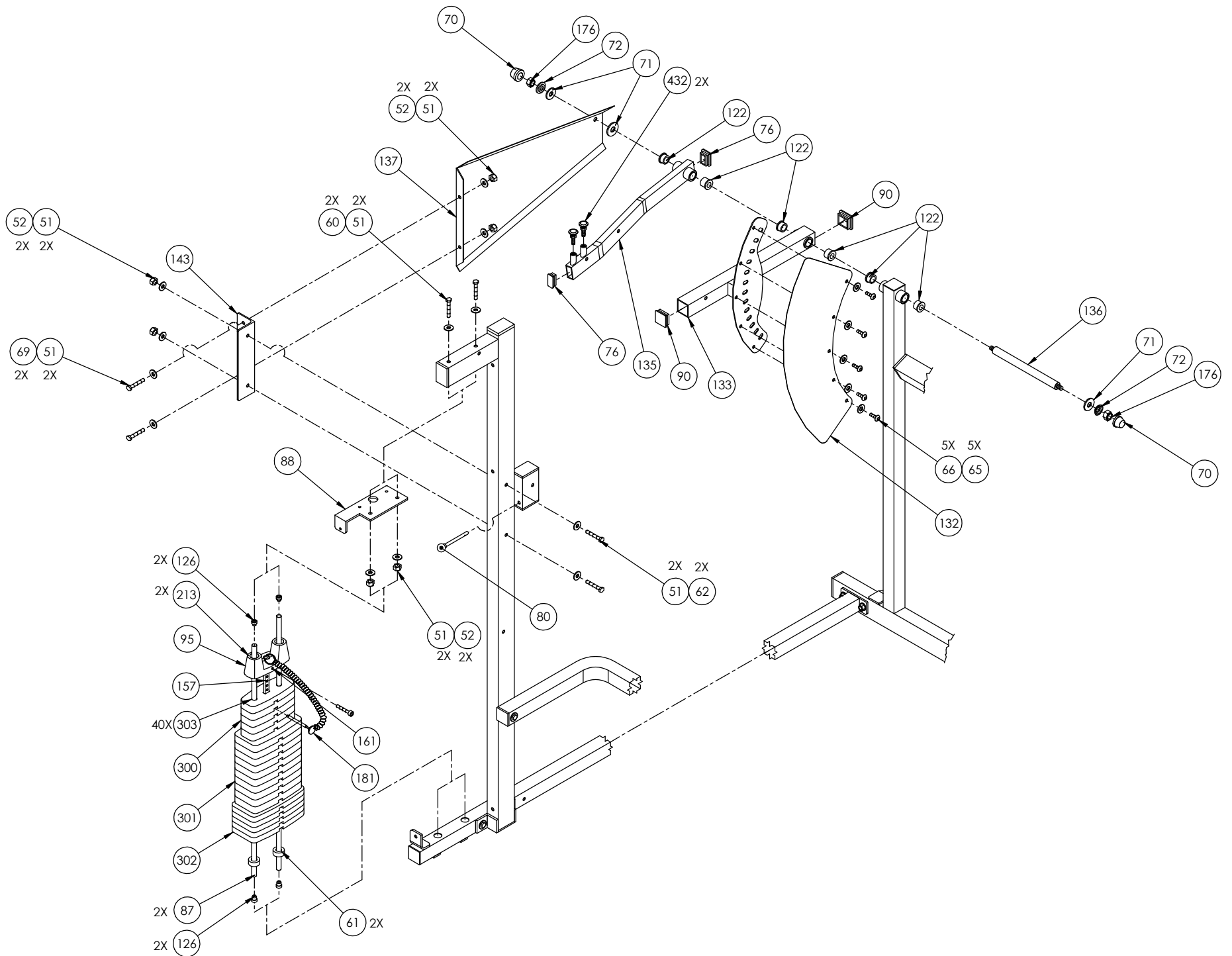
S3.21	P/N : 42928-103	SUBREV : E
DRAWN BY : KAW	DATE : 9.11.12	SHEET 3 OF 14



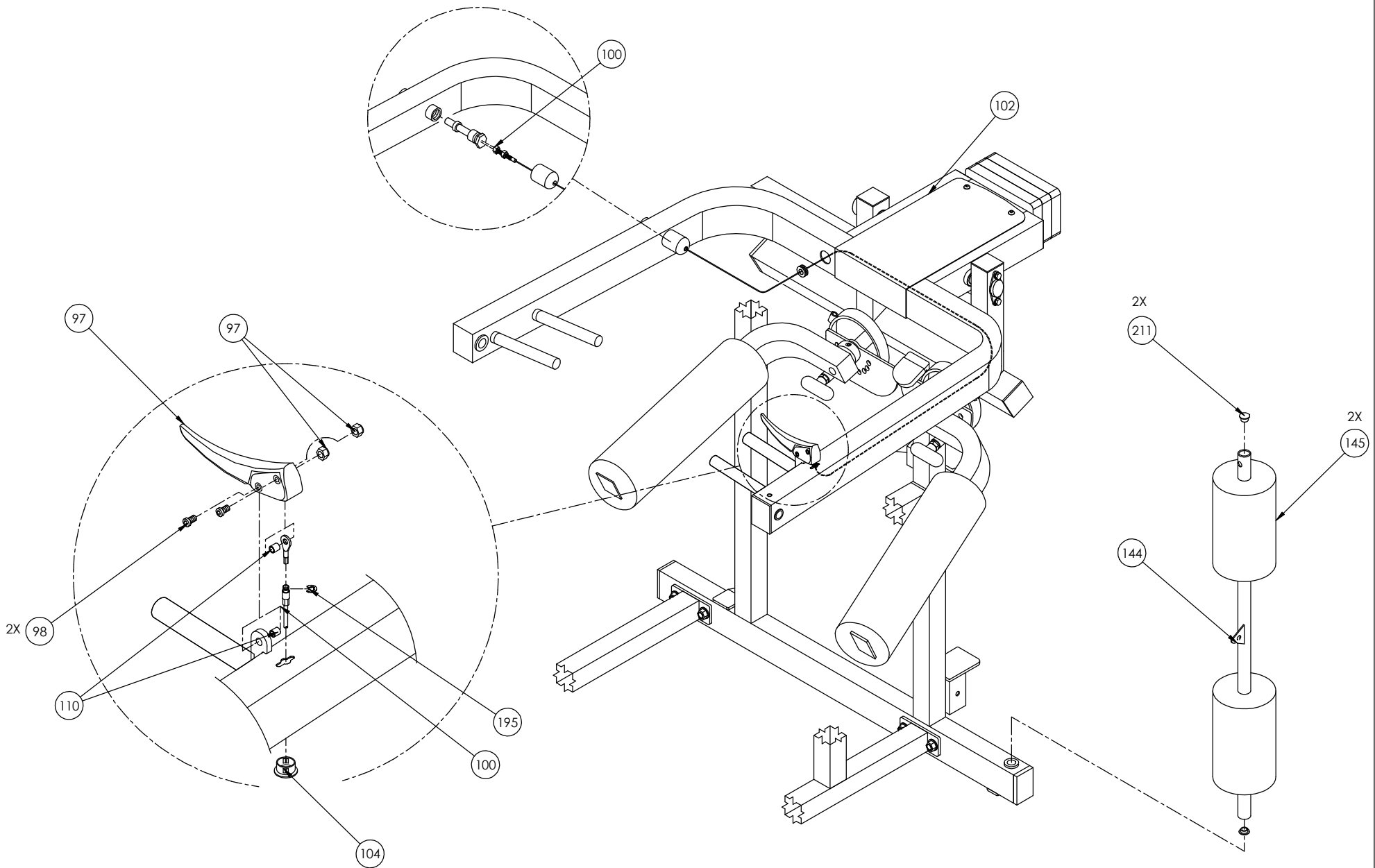
S3.21	P/N : 42928-103	SUBREV : E
DRAWN BY : KAW	DATE : 9.11.12	SHEET 4 OF 14



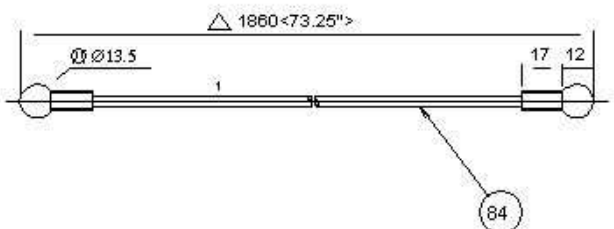
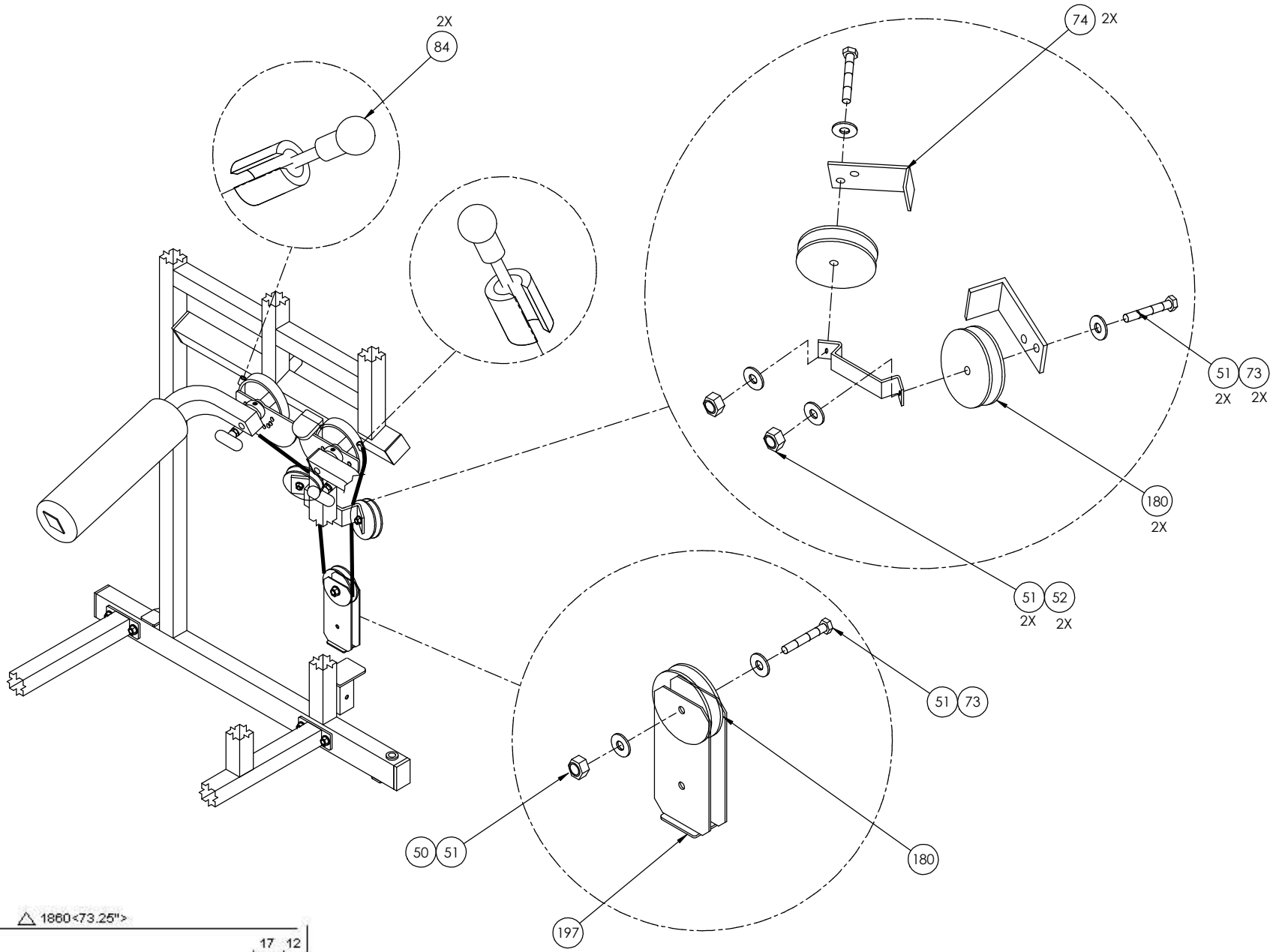
S3.21	P/N : 42928-103	SUBREV : E
DRAWN BY : KAW	DATE : 9.11.12	SHEET 5 OF 14



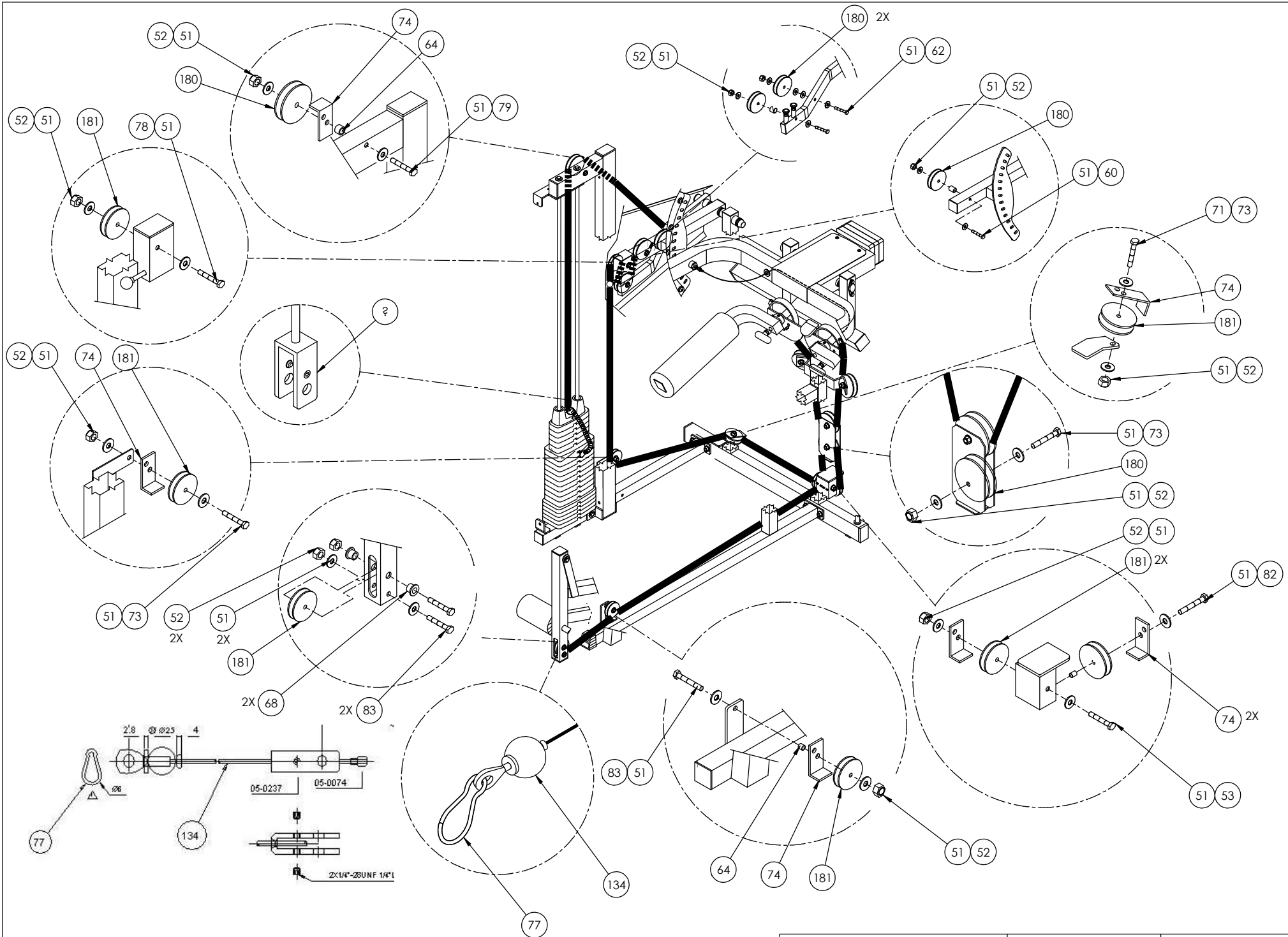
S3.21	P/N : 42928-103	SUBREV : E
DRAWN BY : KAW	DATE : 9.11.12	SHEET 6 OF 14



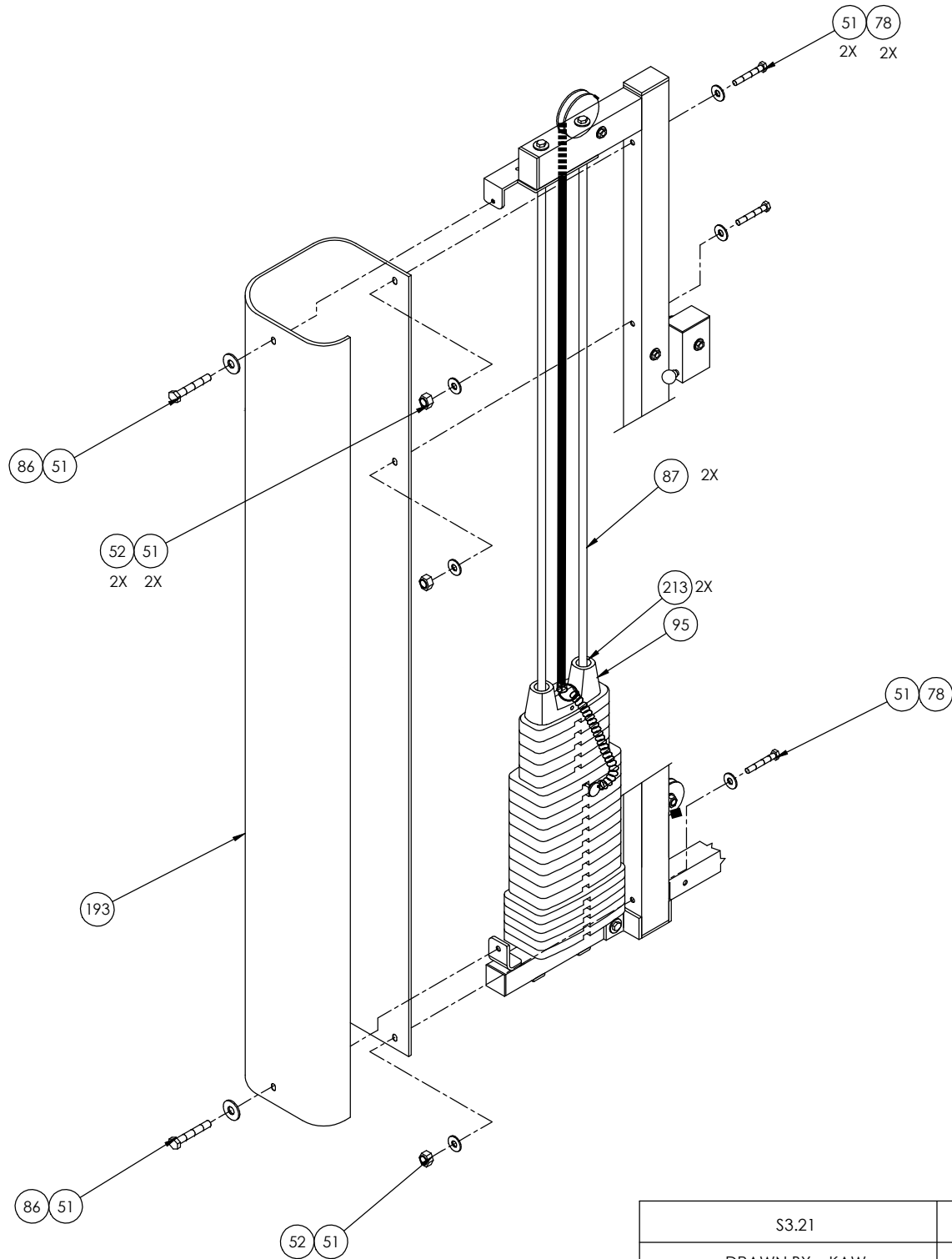
S3.21	P/N : 42928-103	SUBREV : E
DRAWN BY : KAW	DATE : 9.11.12	SHEET 7 OF 14



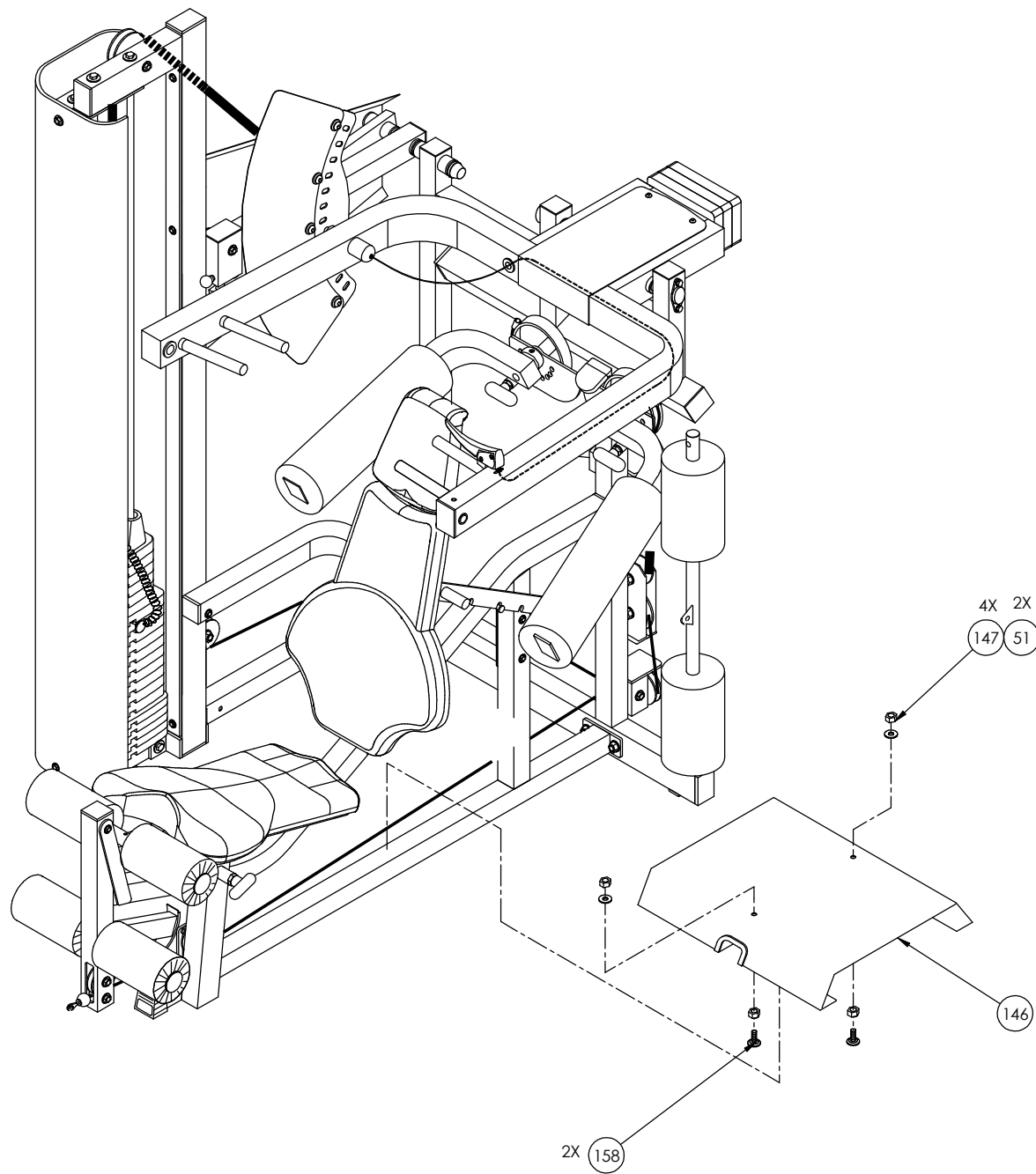
S3.21	P/N : 42928-103	SUBREV : E
DRAWN BY : KAW	DATE : 9.11.12	SHEET 8 OF 14



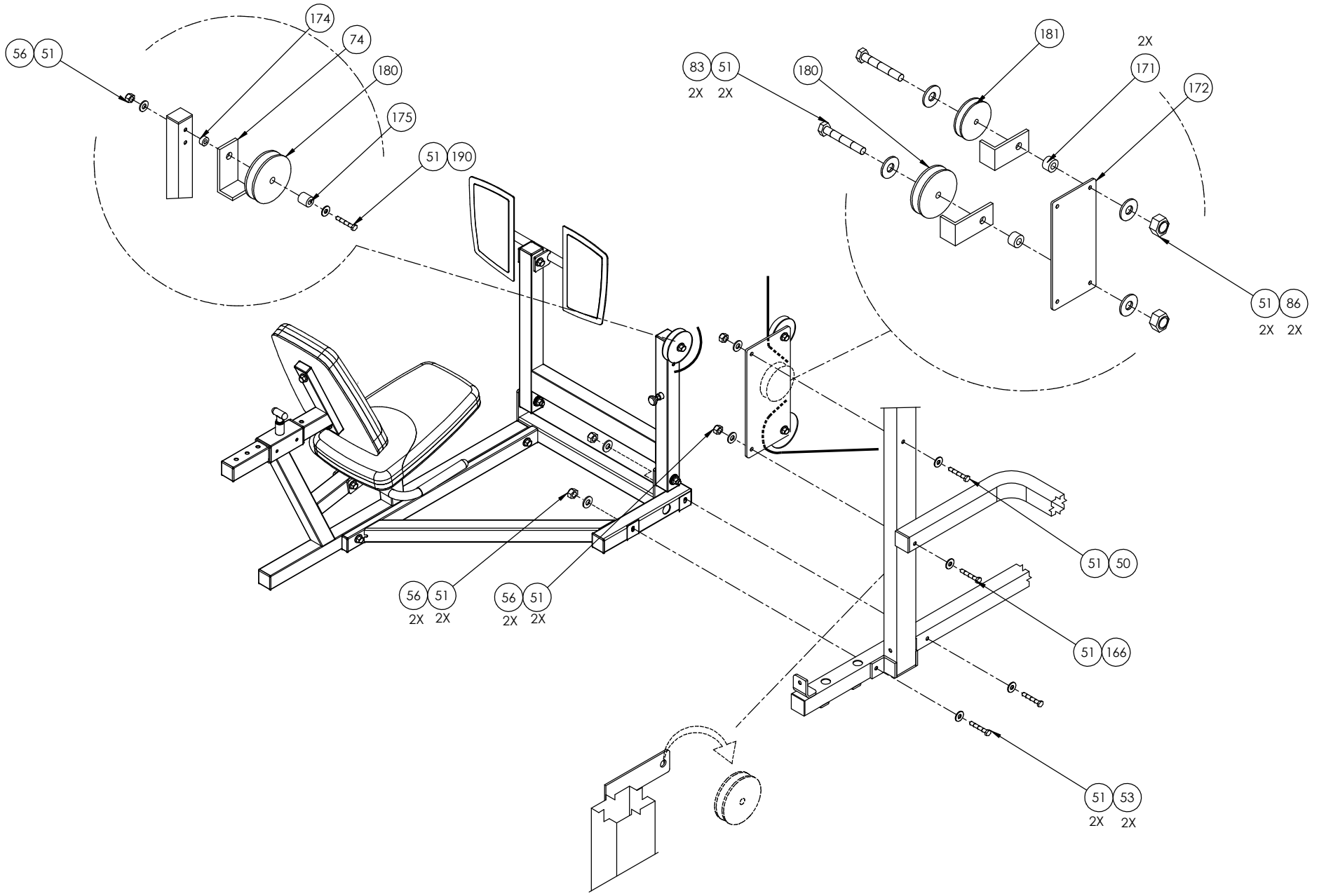
S3.21	P/N : 42928-103	SUBREV : E
DRAWN BY : KAW	DATE : 9.11.12	SHEET 9 OF 14



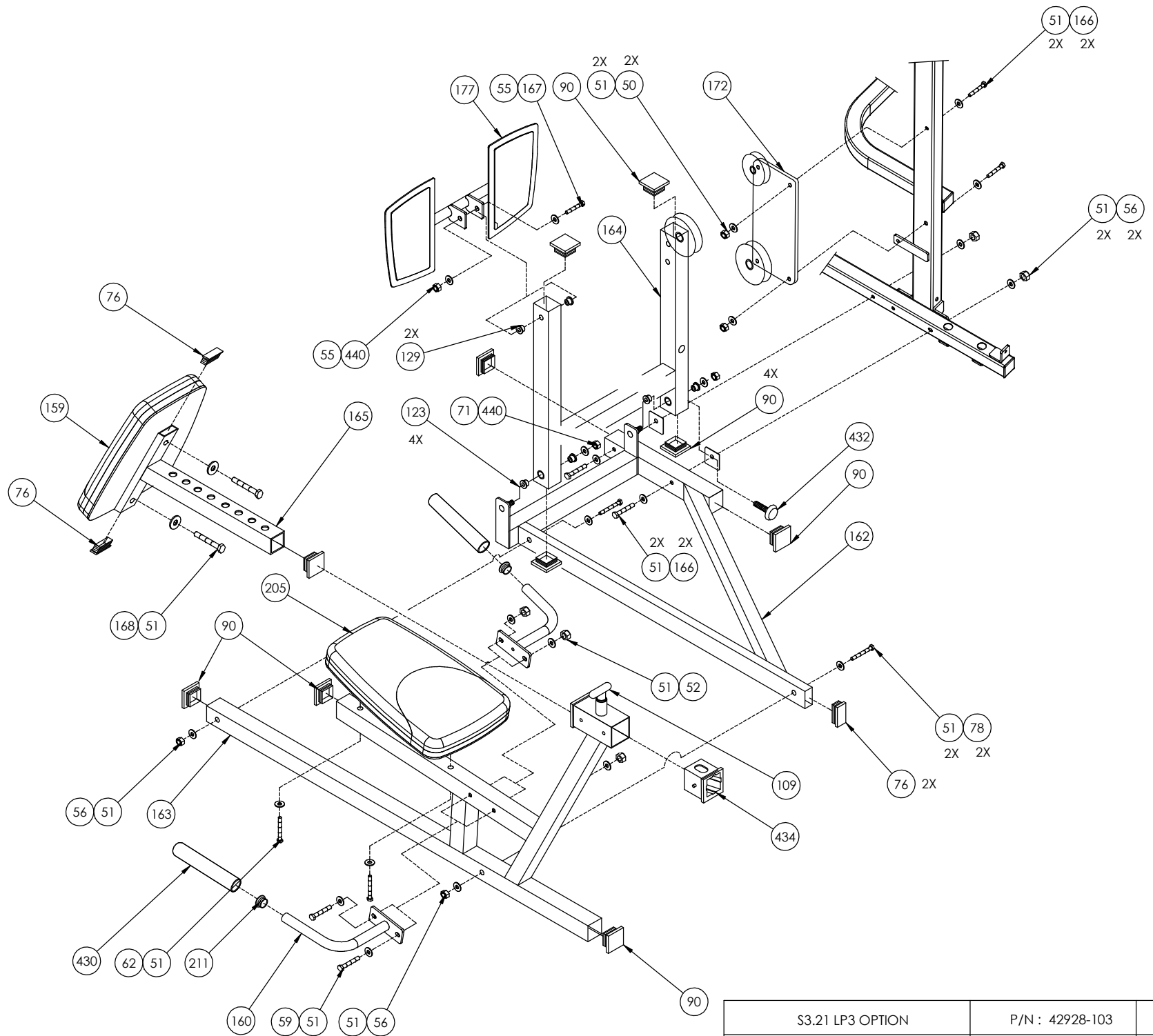
S3.21	P/N : 42928-103	SUBREV : E
DRAWN BY : KAW	DATE : 9.11.12	SHEET 10 OF 14



S3.21	P/N : 42928-103	SUBREV : E
DRAWN BY : KAW	DATE : 9.11.12	SHEET 11 OF 14



S3.21 LP3 OPTION	P/N : 42928-103	SUBREV : E
DRAWN BY : KAW	DATE : 9.11.12	SHEET 12 OF 14



S3.21 LP3 OPTION

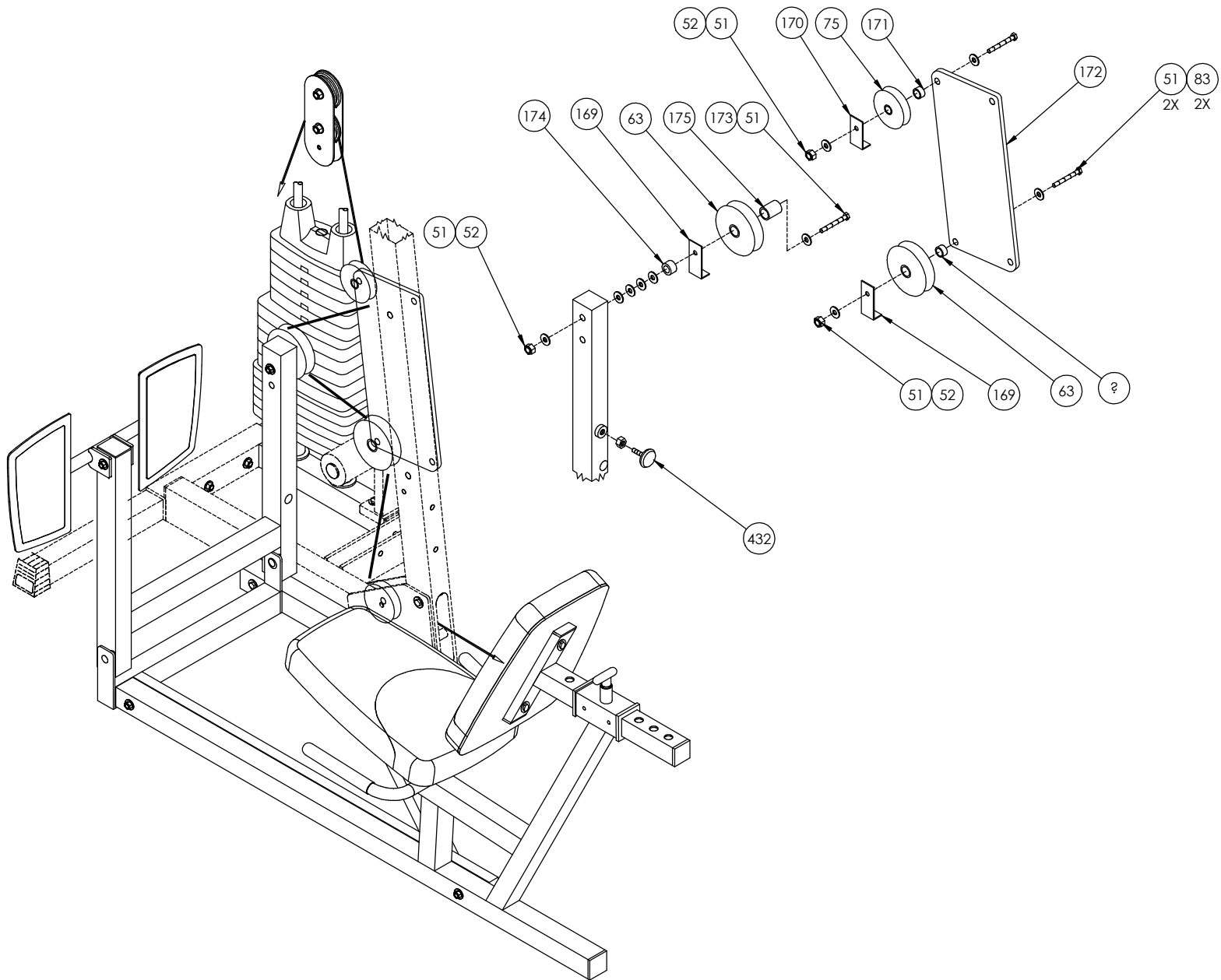
P/N : 42928-103

SUBREV : E

DRAWN BY : KAW

DATE : 9.11.12

SHEET 13 OF 14



S3.21 LP3 OPTION	P/N : 42928-103	SUBREV : E
DRAWN BY : KAW	DATE : 9.11.12	SHEET 14 OF 14